

Data Sheet

Peltier – Control Cabinet Cooler FN-208-C

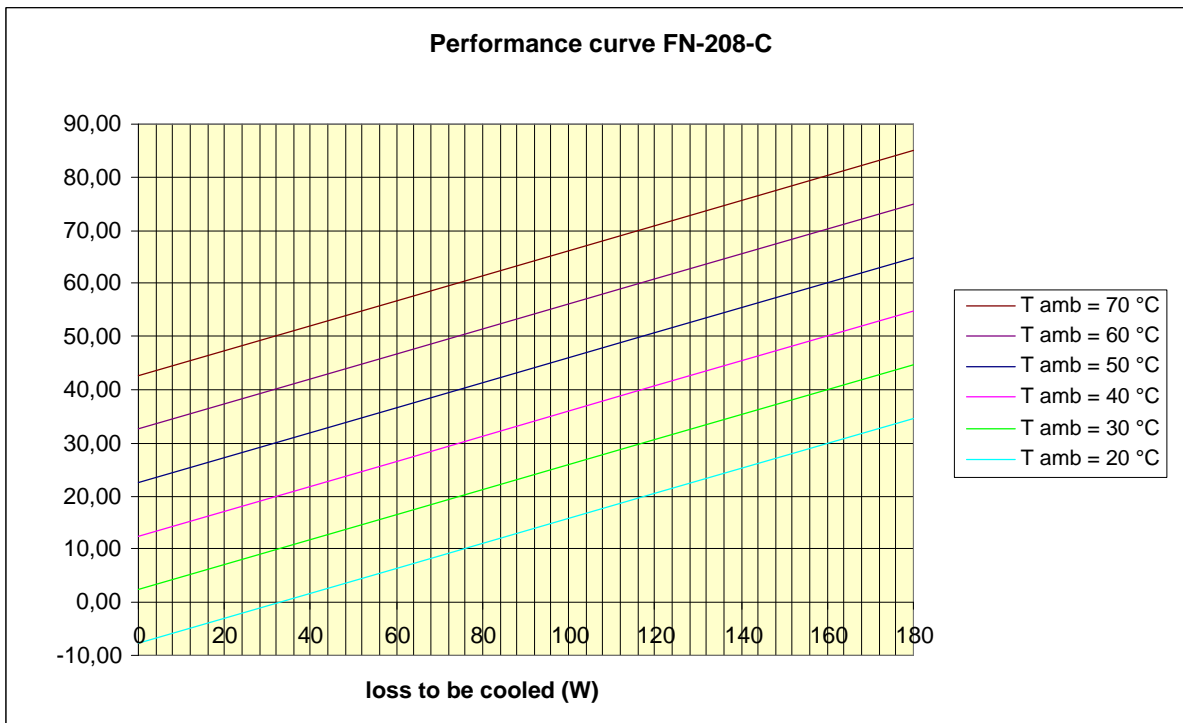


S-0000195-002-a

Technical data:

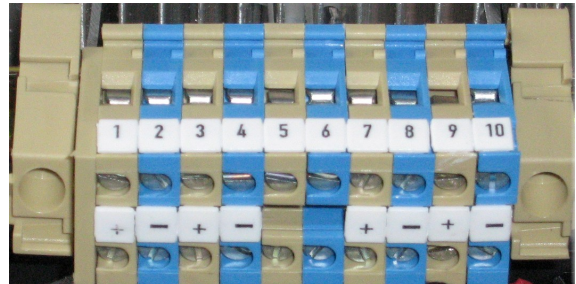
Supply voltage	24 V - DC
Rated input	140 W
max. input current	10 A
Weight	ca. 5 kg
Protection Classification outer side (warm)	IP67
Protection Classification internal side (cold)	IP20
Operational temperature range	-40 °C to 70 °C
Storage temperature range	-40 °C to 70 °C
Alarm transductor	make-contact, max. 30 V-DC, 5 A
Switch point fault message	+80°C (+/- 5°C) heat sink temperature
Switch point safety shutdown	+90°C (+/- 5°C) heat sink temperature

Performance range:

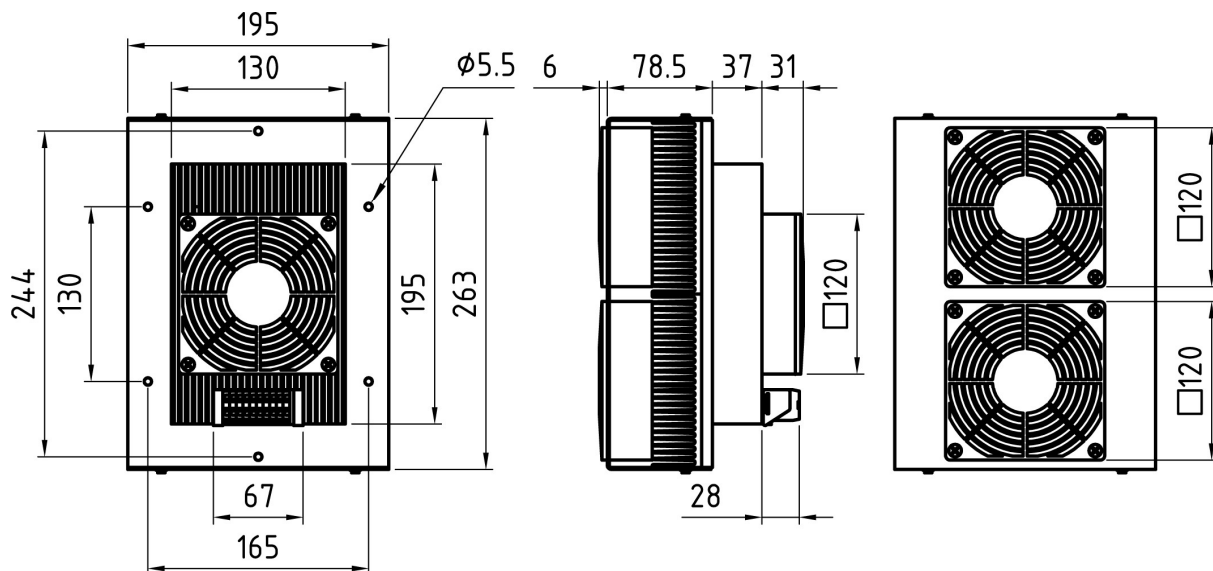


Terminal assignment:

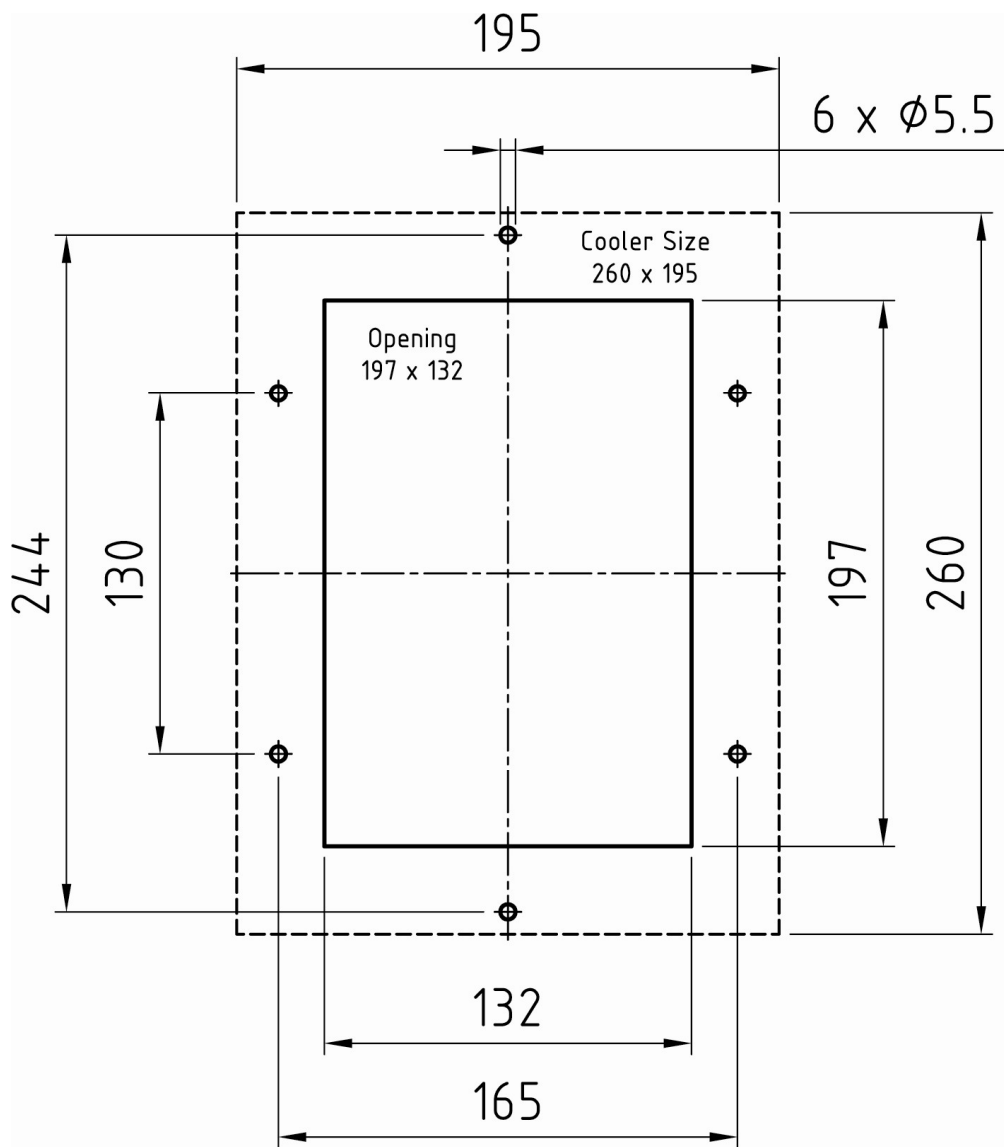
Terminal	Connection
1	Peltier-Elements (+)
2	Peltier-Elements (-)
3	Peltier-Elements (+)
4	Peltier-Elements (-)
5	Alarm transductor (NO contact)
6	Alarm transductor (NO contact)
7	External fans (+)
8	External fans (-)
9	Internal fan (+)
10	Internal fan (-)



Main dimensions:



Opening:





The product DR. NEUMANN Control Cabinet Cooler FN 208-C has been given the CE mark on the basis of the Directive 89/336/EEC of the Council of the European Community of 29 April 1991 for harmonization of legislation of member-states on communication systems including mutual recognition of their conformity.

This product has been designed for use with power packs bearing the CE mark.

The product DR. NEUMANN Control Cabinet Cooler FN 208-C meets the requirements for a CE mark:

Interference immunity to EN 50082-2

Electromagnetic compatibility; basic standard on interference immunity

Radio interference suppression to EN 55022 Class A

Electromagnetic compatibility of equipment for information processing and telecommunication

Electric safety to EN 60950

Safety of equipment of information engineering including electric office machines.

This product has been designed for use in industrial applications. Interference immunity and the rate of emitted interference are in conformity with the directives on industrial equipment. When the product is used in residential homes and business offices interference with other equipment items (e.g. radio receivers) might occur. The user shall ensure itself that no third party will be exposed to any interference.

This declaration is delivered in the responsibility of the manufacturer

DR. NEUMANN
Peltier-Technik GmbH
Gautinger Str. 45
D-82061 Neuried
Germany