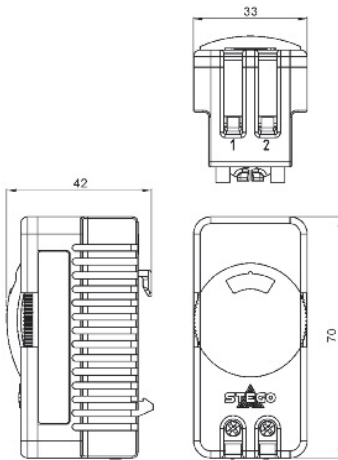


- **Thumbwheel setting dial**
- **Small hysteresis**
- **High switching capacity**
- **Anti frost assurance**
- **Optimized housing for better air flow**

The mechanical thermostat is a two state regulator with small hysteresis. The setting wheel has an anti frost assurance. The housing ensures an optimized circulation around the bimetal.

**STO 011:** Thermostat (NC); contact breaker for regulating heaters. The contact opens when temperature is rising.

**STS 011:** Thermostat (NO); contact maker for regulating filter fans and heat exchangers or for switching signal devised when temperatur limit has been exceeded. The contact closes when temperature is rising.



### Technical Data

<b>Switch temperature difference</b>	4K ( ±3K tolerance)
<b>Sensor element</b>	thermostatic bimetal
<b>Contact type</b>	snap-action contact
<b>Service life</b>	>100,000 cycles
<b>Max. switching capacity</b>	250VAC, 10 (2) A 120VAC, 15 (2) A 30WDC at 24VDC to 72VDC
<b>Max. inrush current</b>	16AAC for 10 sec.
<b>Connection<sup>1</sup></b>	2-pole terminal for 2.5mm <sup>2</sup> (AWG 13), torque 1Nm max.
<b>Mounting</b>	clip for 35mm DIN rail, EN 60715
<b>Casing</b>	plastic according to UL94 V-0, light grey
<b>Dimensions</b>	70 x 33 x 42mm
<b>Weight</b>	approx. 50g
<b>Fitting position</b>	variable
<b>Operating/Storage temperature</b>	-45 to +80°C (-49 to +176°F)
<b>Operating/Storage humidity</b>	max. 90% RH (non-condensing)
<b>Protection type</b>	IP20
<b>Approvals</b>	VDE and UL submitted

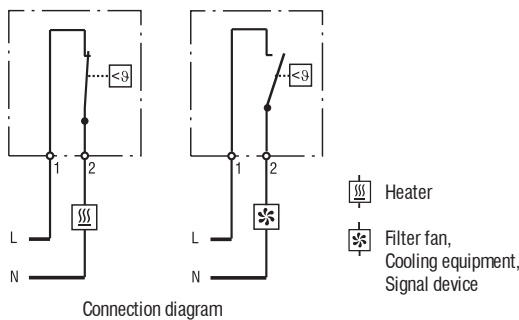
#### Anti frost assurance



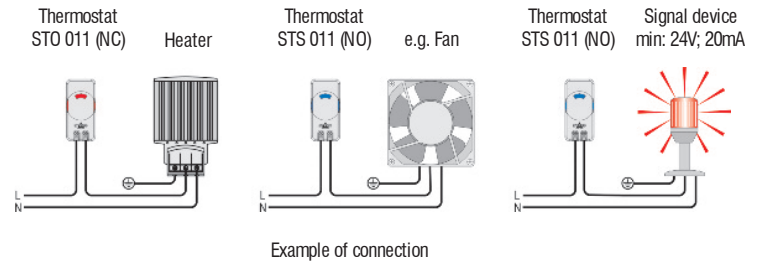
The anti frost assurance is a symbol on the setting scale of the NC thermostat (STO 011) at 11°C. This setting assures closing of the switching contact before 0°C.

Thermostat STO 011 (NC)

Thermostat STS 011 (NO)



**Important note:** The contact system of the regulator is subjected to environmental influences, thus the contact resistance may change. This can lead to a voltage drop and/or self-heating of the contacts.



Setting range	Art. No. Contact breaker (NC)	Art. No. Contact maker (NO)
0 to +60°C	01115.0-00	01116.0-00
+32 to +140°F	01115.9-00	01116.9-00