

# Data Sheet

## Peltier-Switch Cabinet Cooler XSKV-208-AC

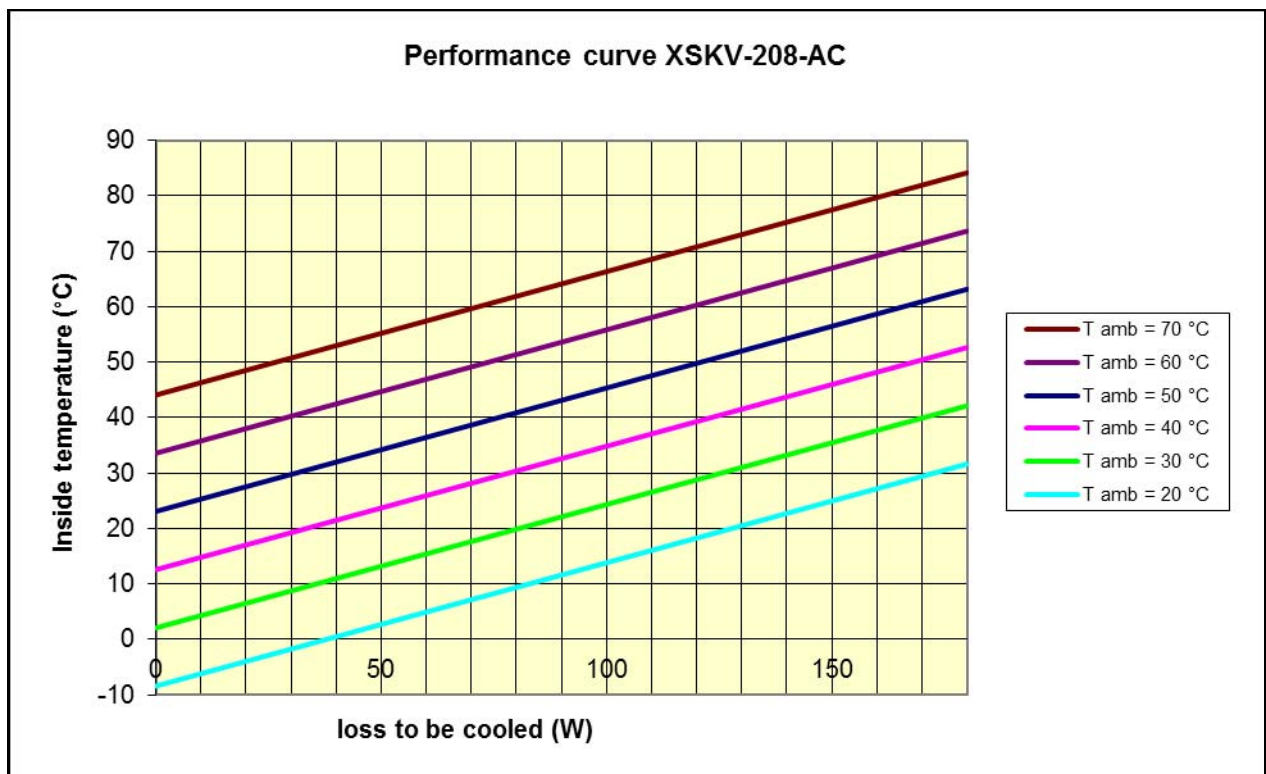


S-0001170-001-a

### Technical data:

Supply voltage	90-305 V-AC, 47-63 Hz, 127-431 V-DC
Rated input	200 W
Weight	ca. 6,5 kg
Protection Classification outer side (warm)	IP67
Protection Classification internal side (cold)	IP20
Operational temperature range	-40 °C to 70 °C
Storage temperature range	-40 °C to 70 °C
Alarm transductor	NO-contact, max. 250 V-AC/30 V-DC, 5 A
Switch point fault message	+80°C (+/- 5°C) heat sink temperature
Switch point safety shutdown	+90°C (+/- 5°C) heat sink temperature

### Performance range:



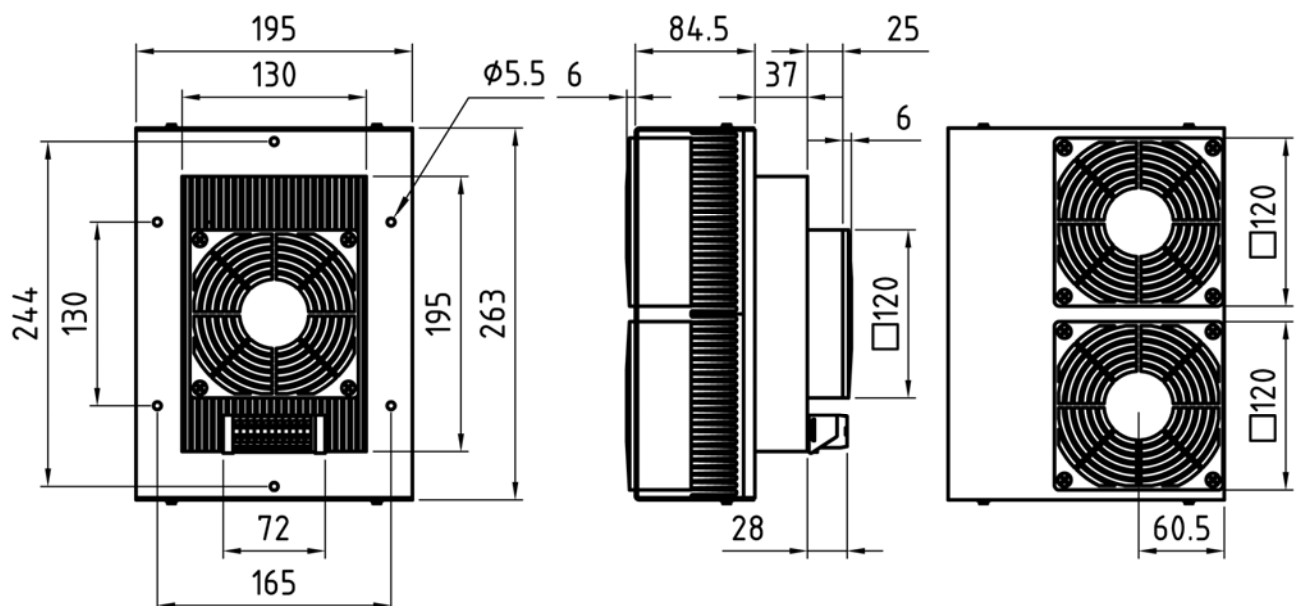
### Terminal assignment:

Terminal	Connection
1	Supply voltage L
2	Supply voltage N
3	Ground
4	DC-Voltage output +24 V-DC
5	DC-Voltage output 0 V-DC
6	Peltier-Modules +24 V-DC
7	Peltier-Modules 0 V-DC
8	Alarm-Switch (NO-Contact)
9	Alarm-Switch (NO-Contact)
10	Fans +24 V-DC
11	Fans 0 V-DC

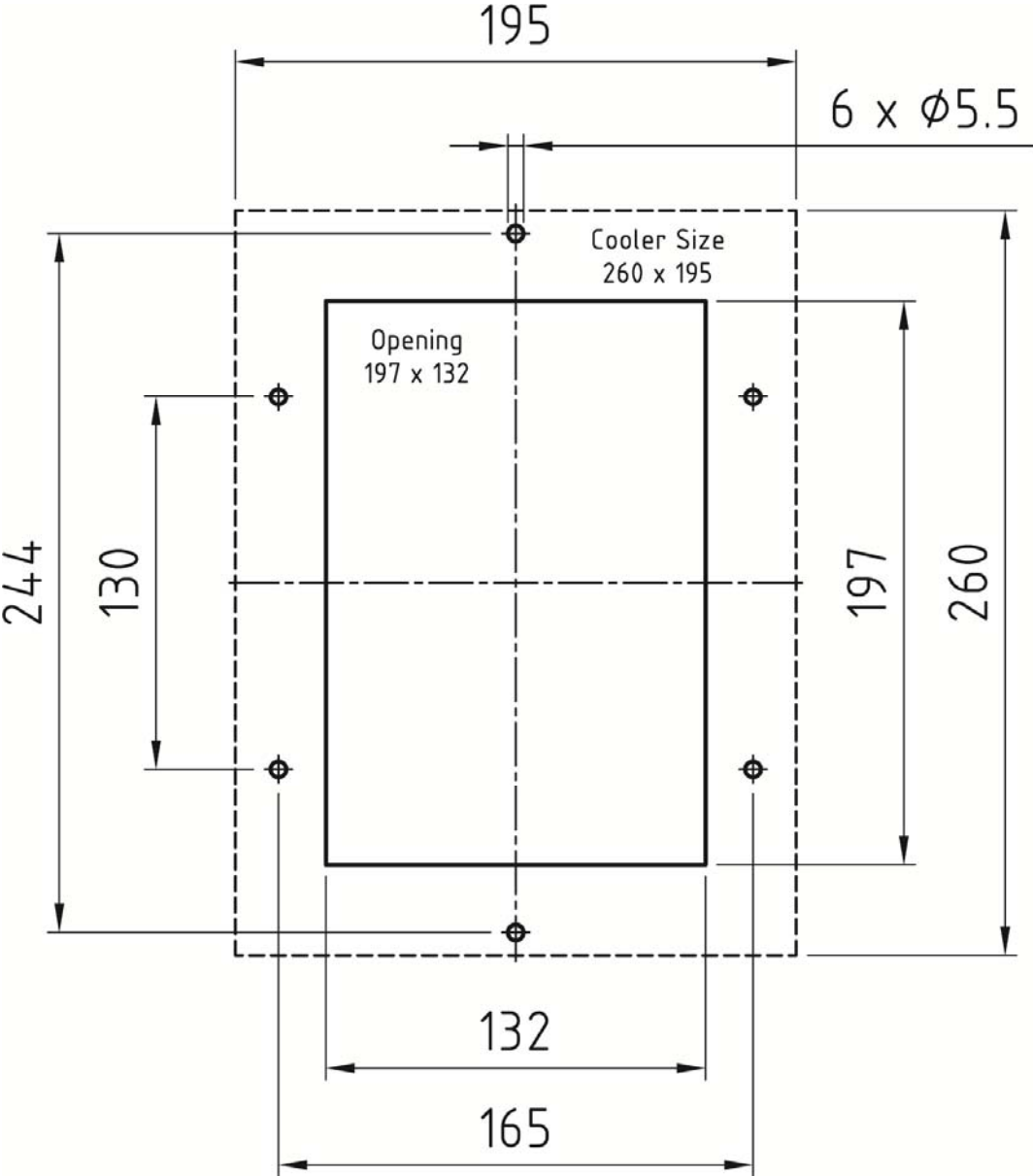


Terminals 4, 6, 10 and terminals 5, 7, 11 are bridged in the delivery status.  
To switch between cooling- and heating operation remove the bridges and connect a suitable controller, e.g. SCC-003-A.

### Main dimensions:



**Opening:**





The product „Control Cabinet Cooler – XSKV-208-AC“ has been given the CE mark on the basis of the Directive 89/336/EEC of the Council of the European Community of 29 April 1991 for harmonization of legislation of member-states on communication systems including mutual recognition of their conformity.

This product has been designed for use with power packs bearing the CE mark.

The product „Control Cabinet Cooler – XSKV-208-AC“ meets the requirements for a CE mark:

**Interference immunity to EN 61000-6-2/VDE 0839 Part 6-2**

Electromagnetic compatibility; basic standard on interference immunity

**Radio interference suppression to EN 55022 Class A**

Electromagnetic compatibility of equipment for information processing and telecommunication

**Electric safety to EN 60950**

Safety of equipment of information engineering including electric office machines.

This product has been designed for use in industrial applications. Interference immunity and the rate of emitted interference are in conformity with the directives on industrial equipment. When the product is used in residential homes and business offices interference with other equipment items (e.g. radio receivers) might occur. The user shall ensure itself that no third party will be exposed to any interference.

This declaration is delivered in the responsibility of the manufacturer

DR. NEUMANN  
Peltier-Technik GmbH  
Gautinger Str. 45  
D-82061 Neuried  
Germany