

Data-Sheet Temperature-Control-Plate ZTNG-100-B



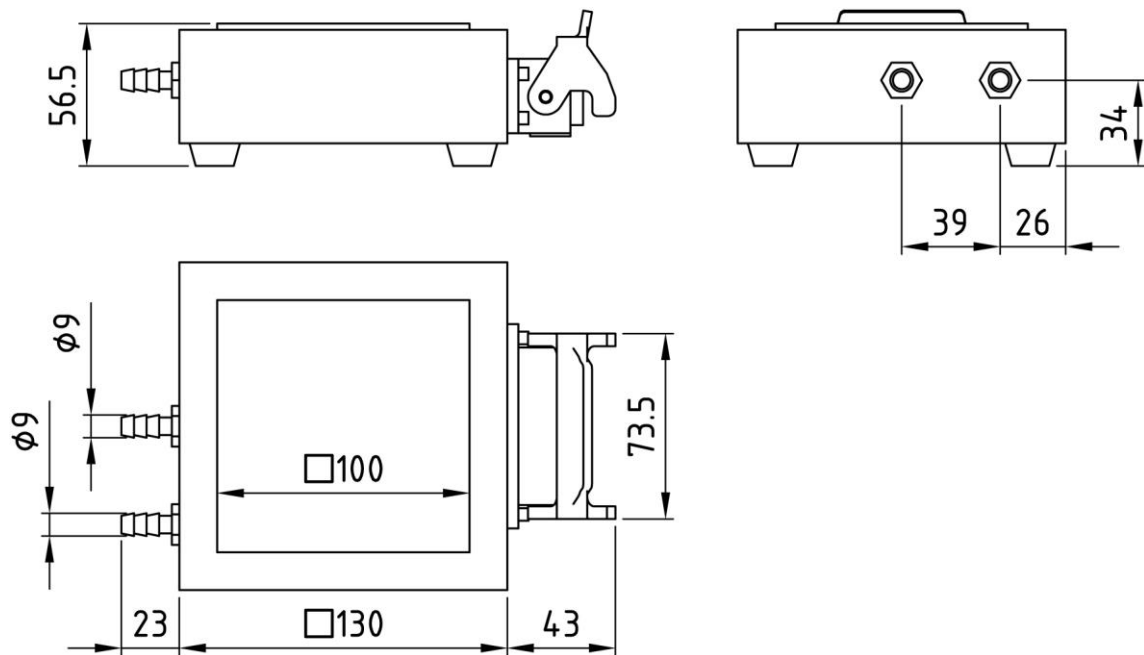
S-0001251-001-a



Technical Data:

Supply voltage	24 V - DC
Max. input power	500 W
Max. input current	30 A
Weight	ca. 2 kg (without cooling water)
Operational temperature range	5 °C .. 30 °C
Working temperature range	-50 °C .. 60 °C
Storage temperature range	-40 °C .. 70 °C (without cooling water)
Temperature sensor cooling plate	Pt 100
Temperature sensor water-to-air heat exchanger	Pt 100
Nominal pressure water-to-air heat exchanger	PN 6
Hose connectors	Hose nozzle for plastic hose di = 9 mm
Cooling water	max. flow temperature 25 °C max. salinity 0,1 % pH value 4,5 .. 8,5
Plug-in connection	Harting Han 10 A

Main dimensions:



Terminal assignment:

Terminal	Connection
1	Pt 100 – cooling plate
2	Pt 100 – cooling plate
3	Pt 100 – water-to-air heat exchanger
4	Pt 100 – water-to-air heat exchanger
5	Peltier element upper stage (0 V), 5 A
6	Peltier element upper stage (+24 V), 5 A
7	Peltier element lower stage 1 (0 V), 10 A
8	Peltier element lower stage 1 (+24 V), 10 A
9	Peltier element lower stage 2 (0 V), 10 A
10	Peltier element lower stage 2 (+24 V), 10 A

